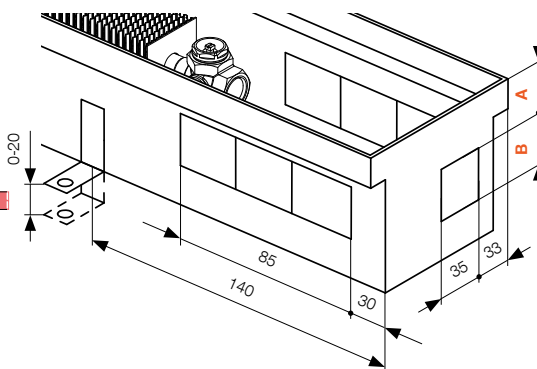
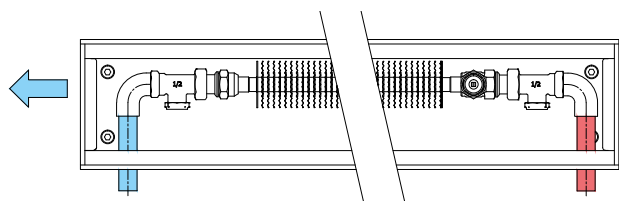


CONNECTIONS AND CONNECTION MEASUREMENTS

Connection options

Heat exchangers in trench heaters may be connected to the heating system in several ways. Trench heater casings are fitted with cut outs for easy connection to the heating system. The standard connection for trench heaters is on the right. Left-hand connections are feasible using the cut outs on the opposite side. **Due to limitations of space, a number of trench heater models cannot be fitted with thermoelectric actuators.** Mounting heat exchangers in trench heaters can be achieved in a number of ways. Fixed connections to the heating system, or the use of flexible steel hoses – see optional accessories on p. 50.

Type 60/140, 70/140, 90/140, 110/140



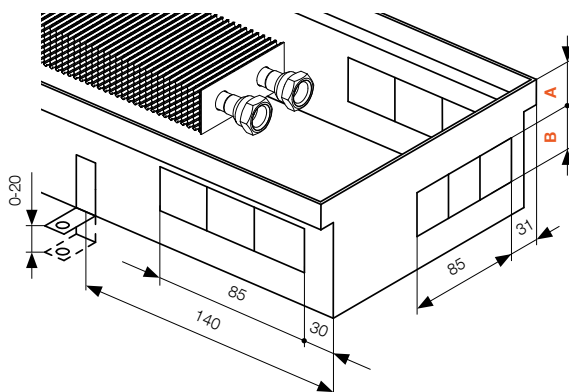
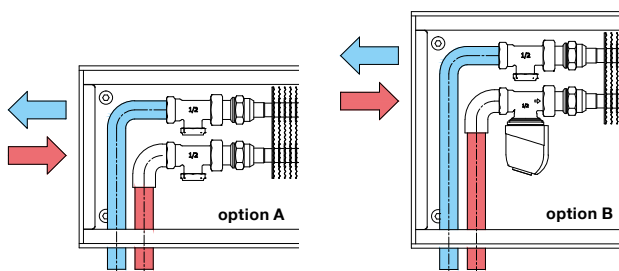
Type 60/140
A = 18 mm
B = 35 mm

Type 70/140
A = 30 mm
B = 35 mm

Type 90/140, 110/140
A = 32 mm
B = 40 mm

Type 60/200*, 60/260*, 70/200*, 70/260, 90/200*, 90/260, 110/200*, 110/260

* only suitable with option A



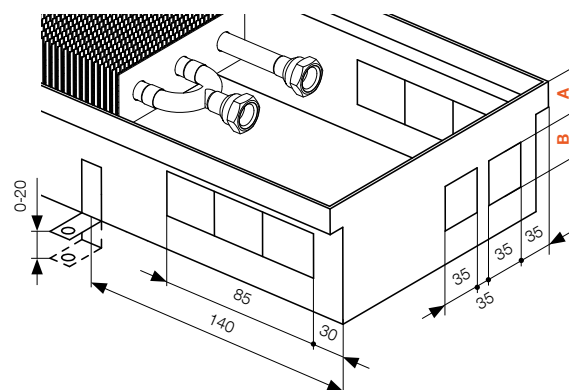
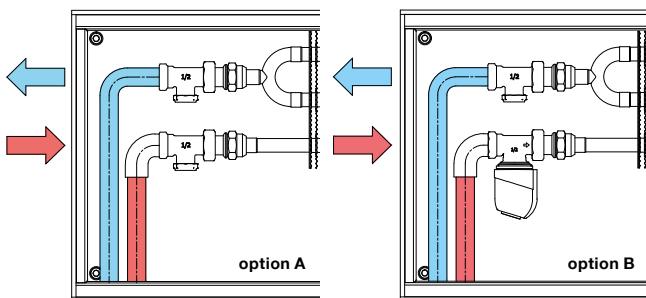
Type 60/140, 60/260
A = 18 mm
B = 35 mm

Type 70/200, 70/260
A = 30 mm
B = 35 mm

Type 90/200, 90/260, 110/200, 110/260
A = 32 mm
B = 40 mm

Type 60/320*, 70/320, 90/320, 110/320

* only suitable with option A

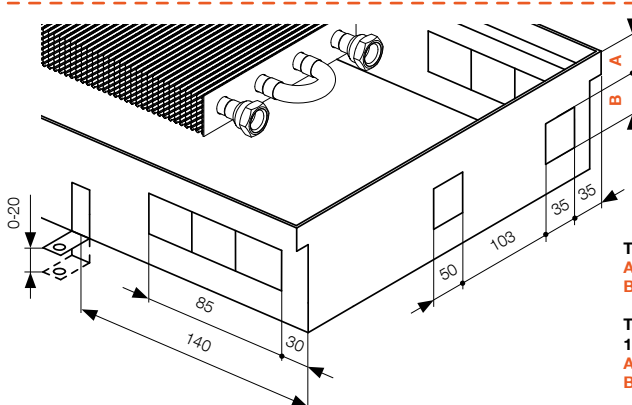
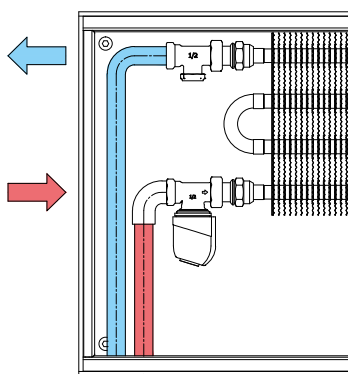


Type 60/320
A = 18 mm
B = 35 mm

Type 70/320
A = 30 mm
B = 35 mm

Type 90/320, 110/320
A = 32 mm
B = 40 mm

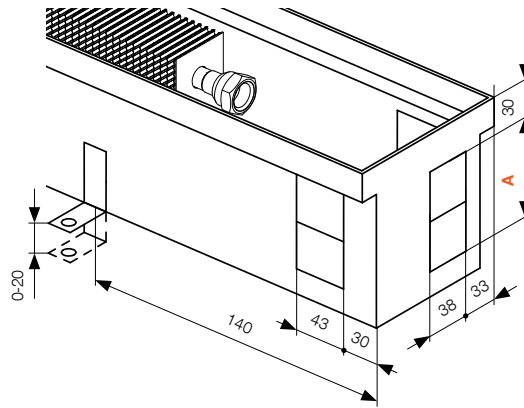
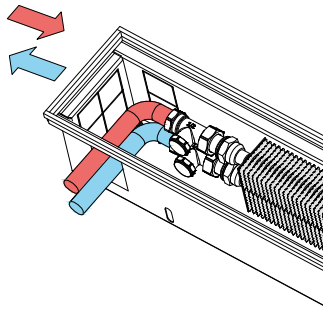
Type 70/400, 90/400, 110/400



Type 70/400
A = 30 mm
B = 35 mm

Type 90/400, 110/400
A = 32 mm
B = 40 mm

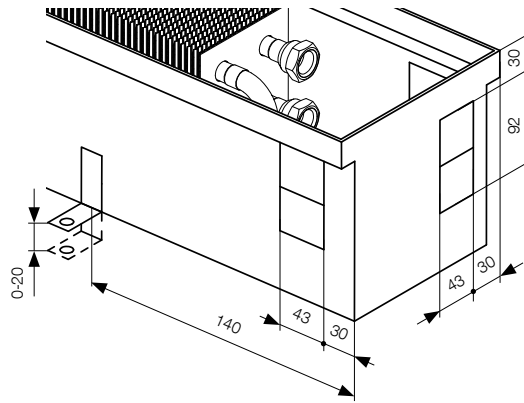
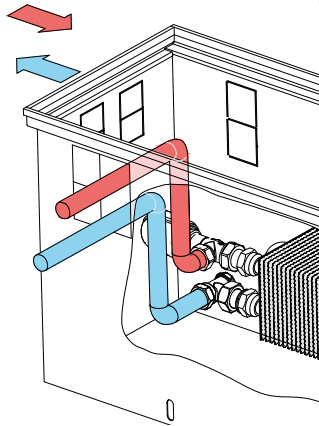
Type 130/140, 150/140



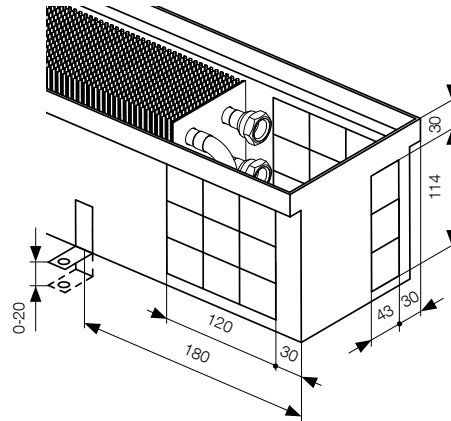
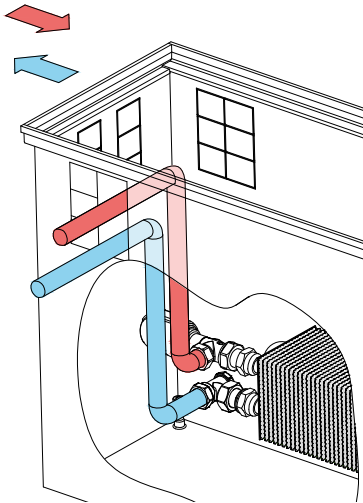
Type 130/140
A = 80 mm

Type 150/140
A = 92 mm

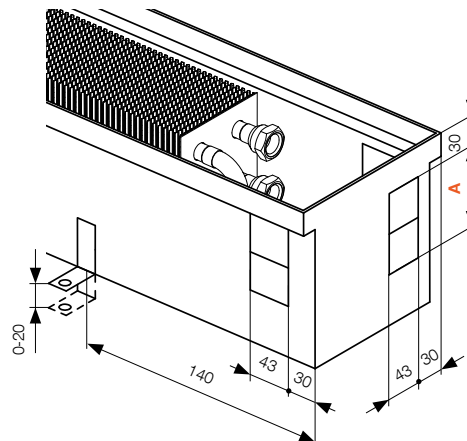
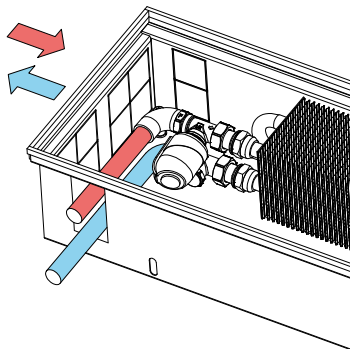
Type 300/260, 300/320, 300/400



Type 450/260, 450/320, 450/400



Type 130/200, 130/260, 130/320, 130/400, 150/200, 150/260, 150/320, 150/400, 190/200, 190/260, 190/320, 190/400



Type 130/200
A = 80 mm, B = 80 mm

Type 130/260
A = 80 mm, B = 140 mm

Type 130/200
A = 80 mm, B = 150 mm

Type 130/260
A = 80 mm, B = 180 mm

Type 150/200, 190/200
A = 92 mm, B = 80 mm

Type 150/260, 190/260
A = 92 mm, B = 140 mm

Type 150/320, 190/320
A = 92 mm, B = 150 mm

Type 150/400, 190/400
A = 92 mm, B = 180 mm